



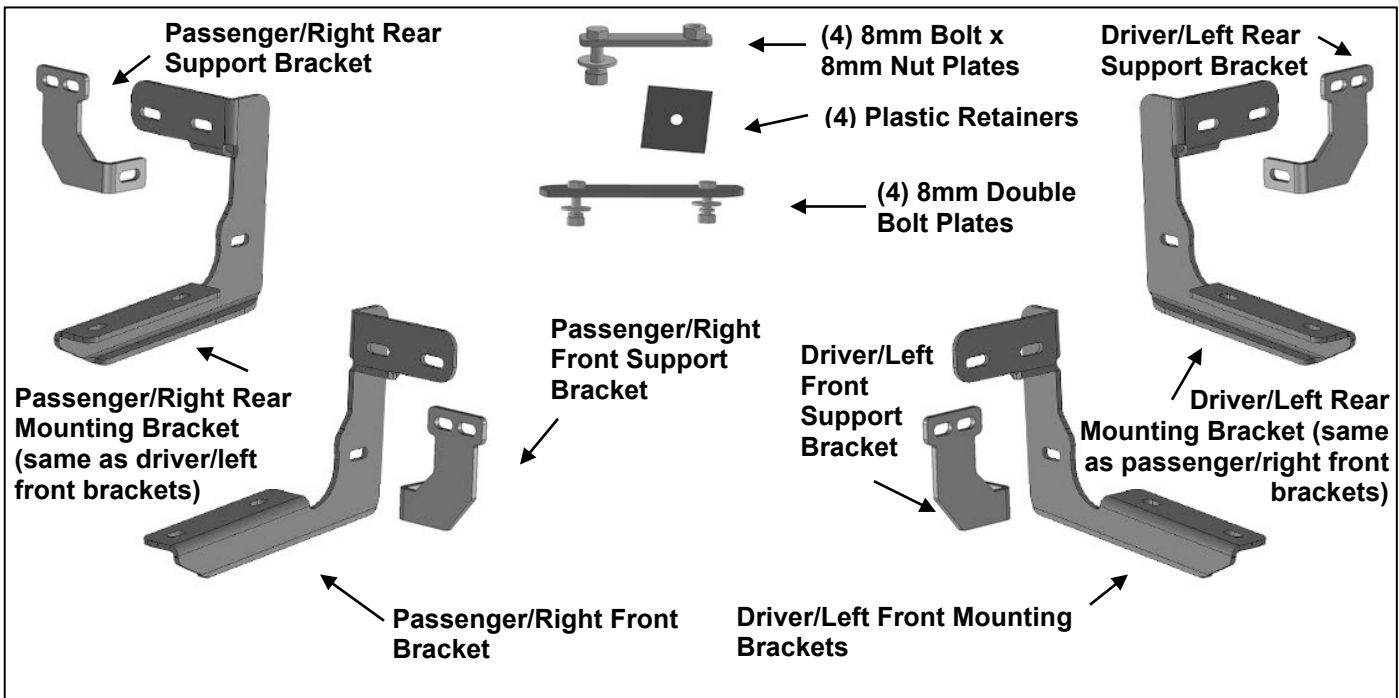
INSTALLATION INSTRUCTIONS

AGGRESSIVE RUNNING BOARDS

**2009-2018 DODGE RAM 1500 REGULAR CAB (INCL. 19-24 RAM 1500 CLASSIC)
2010-24 25-5500 REGULAR CAB (INCL. CHASSIS CAB AND DIESEL/DEF TANK)
PART# ENT23500GSKIT**

PARTS LIST:

| | | | |
|----|---|----|-------------------------------|
| 2 | Running Boards | 24 | 8mm x 24mm x 2mm Flat Washers |
| 2 | Driver/Left Front and Passenger Rear Mounting Brackets | 16 | 8mm Lock Washers |
| 2 | Passenger/Right Front and Driver Rear Mounting Brackets | 12 | 8mm Hex Nuts |
| 2 | Support Brackets (DS Front & PS Rear) | 4 | 8mm Nylon Lock Nuts |
| 2 | Support Brackets (PS Front & DS Rear) | 4 | 8mm x30mm Double Bolt Plates |
| 4 | 8mm x 30mm Nut/Bolt Plates | 8 | 6mm x 25mm Hex Bolts |
| 4 | 8mm Plastic Retainers | 16 | 6mm x 22mm x 2mm Flat Washers |
| 12 | 8mm-1.25 x 30mm Hex Bolts | 8 | 6mm Nylon Lock Nuts |



PROCEDURE:

1. REMOVE CONTENTS FROM BOX. VERIFY ALL PARTS ARE PRESENT. READ INSTRUCTIONS CAREFULLY BEFORE STARTING INSTALLATION. DRILLING MAY BE REQUIRED.
2. Starting at the driver side-front of the vehicle, remove the sealing tape covering the factory holes in the side of the inner panel, **(Figure 1)**.
3. Determine the correct procedure to attach the driver side front Bracket for your model/year:

Models without factory threaded inserts in body panel:

 - a. Partially thread an 8mm Hex Bolt into the threaded end of an 8mm Bolt and Nut Plate, **(Figure 2)**. Thread the Hex Bolt in until it is flush with the welded nut, **(Figure 3)**. Use the Hex Bolt as a handle and insert the Bolt and Nut Plate into the oval hole, **(Figure 4)**. Feed the threaded bolt on the Bolt Plate out through one of the hex shaped factory holes. Thread (1) 8mm Plastic Retainer onto the threaded end and down tight against the body panel, **(Figure 5)**. **NOTE:** The Retainer is designed to keep the Bolt/Nut Plate from falling into the body panel and to aid in Bracket installation.
 - b. Select the driver side front Mounting Bracket, **(Figure 6)**. Attach the Bracket to the threaded end of the Bolt Plate with (1) 8mm Flat Washer, (1) 8mm Lock Washer and (1) 8mm Hex Nut, **(Figure 7A)**. Do not tighten at this time.
 - c. Remove the 8mm Hex Bolt from the nut on the Bolt Plate from **Step 3a**. Rotate the Bolt on the Bolt Plate until the threaded nut lines up with the remaining hole in the Mounting Bracket and body panel, **(Figure 7B)**. Attach the Bracket to the threaded Nut Plate with (1)

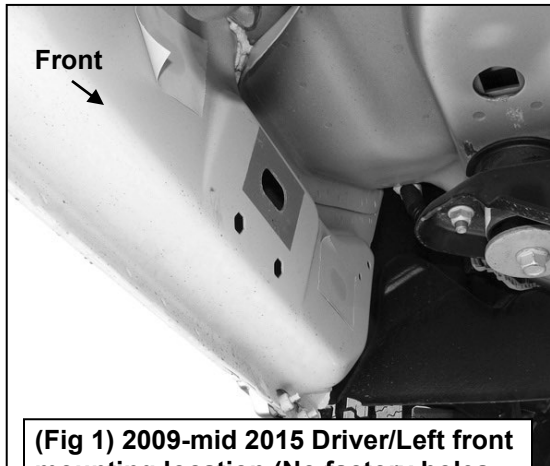
8mm x 30mm Hex Bolt, (1) 8mm Lock Washer and (1) 8mm Flat Washer. Do not tighten hardware at this time.

Models with factory threaded inserts:

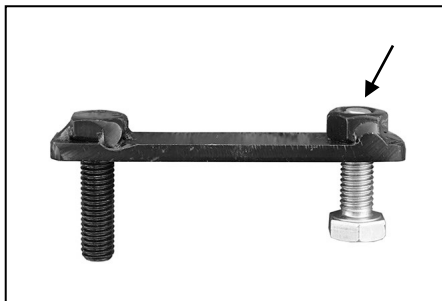
- a. Attach the driver side Front Bracket to the threaded inserts with (2) 8mm x 30mm Hex Bolts, (2) 8mm Lock Washers and (2) 8mm Flat Washer, (**Figures 8 & 9**). Leave hardware loose.
4. Next, select the driver side front Support Bracket. Attach the Bracket to the front facing side of the front Bracket with (1) 8mm x 30mm Hex Bolt, (2) 8mm Flat Washers and (1) 8mm Nylon Lock Nut, (**Figure 10**). Rotate the Support Bracket to the back of the pinch weld. Line up the slots in the top of the Support Bracket with the (2) factory holes in the pinch weld. Attach the Bracket to the back of the pinch weld with (2) 6mm x 25mm Hex Bolts, (4) 6mm Flat Washers and (2) 6mm Nylon Lock Nuts, (**Figures 11 & 12**). Do not fully tighten hardware at this time. **IMPORTANT: 2009-12** models are not equipped with factory holes and will require drilling through the pinch weld to attach the Support Bracket. Do not drill through pinch weld at this time, (**see Step 9**).
5. Move to the rear location, (**Figure 13**). Repeat **Step 3** to install the rear Mounting Bracket, (**Figure 14**). Select the driver side rear Support Bracket. Repeat **Step 4** to attach the Support Bracket to the rear of the rear Bracket and factory holes, (if equipped), in the pinch weld, (**Figure 15**). **IMPORTANT:** The driver/left rear Mounting Bracket and Support Bracket are the same as the Passenger/right front Bracket, (see illustration page 1).
6. Once all (3) Brackets have been installed, select (1) Running Board. Place the Running Board on top of the Brackets. Select (3) 8mm Double Bolt Plates. Insert the Bolt Plates into the channels in the bottom of the Running Board closest to the Brackets, (**Figure 16**). Lift the Running Board up and guide the studs through the Brackets.
7. Attach the Running Board to the Brackets with (4) 8mm Flat Washers, (4) 8mm Lock Washers and (4) 8mm Hex Nuts, (**Figures 17 & 18**). **NOTE:** The Running Board is designed to fit close to the vehicle. It may be necessary to loosen the Bracket hardware and tilt the Brackets downward to insert the Running Board between the Brackets and the body. Do not tighten hardware at this time.
8. Properly level and adjust the Running Board and fully tighten all hardware. **NOTE:** Line up front of Running Board approximately 2" back from front wheel opening.
2009-12 models requiring drilling for driver side Support Brackets:
 - a. Make sure the Running Board is level to the vehicle. Adjust and tighten all mounting hardware.
 - b. Line up the slots on the Support Brackets with the back of the pinch weld. Mark the location of the slots onto the pinch weld.
 - c. Drill (2) 1/4" holes through the pinch weld for each Support Bracket. **IMPORTANT:** Do not drill too close to the bottom edge of the pinch weld. Adjust the Brackets as necessary to move the slots up the body panel away from the edge. Drill the holes toward the outside of the marked slots.
 - d. Attach each Support Bracket to pinch weld with (2) 6mm Hex Bolts, (4) 6mm Flat Washers and (2) 6mm Nylon Lock Nuts, (**Figures 12, 17, 19 & 20**). Check for level and fully tighten all hardware.
9. Move to the passenger side of the vehicle. Remove tape covering front and rear locations. Repeat **Steps 2—8** for passenger side Running Board installation. **NOTE:** Refer to the illustration on **Page 1** to identify the correct Mounting Bracket for each of the remaining locations.
10. Do periodic inspections to the installation to make sure that all hardware is secure and tight.

To protect your investment, wax this product after installing. Regular waxing is recommended to add a protective layer over the finish. Do not use any type of polish or wax that may contain abrasives that could damage the finish. Mild soap may be used to clean the Running Boards.

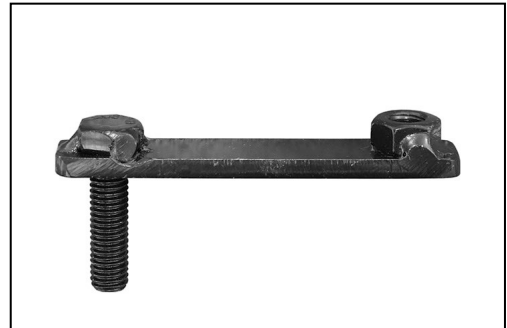
Driver Side Installation Pictured



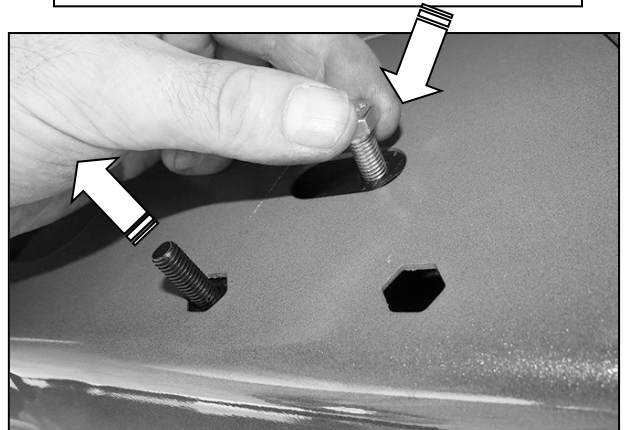
(Fig 1) 2009-mid 2015 Driver/Left front mounting location (No factory holes in pinch weld 2009-2012 models)



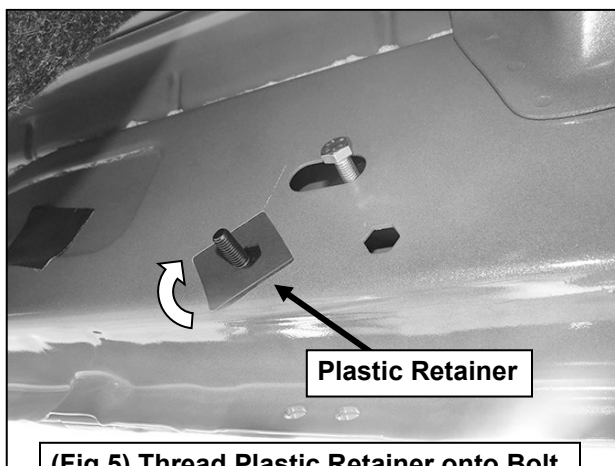
(Fig 3) Thread (1) 8mm Hex Bolt into the nut on the plate. Stop when bolt reaches end of nut as pictured



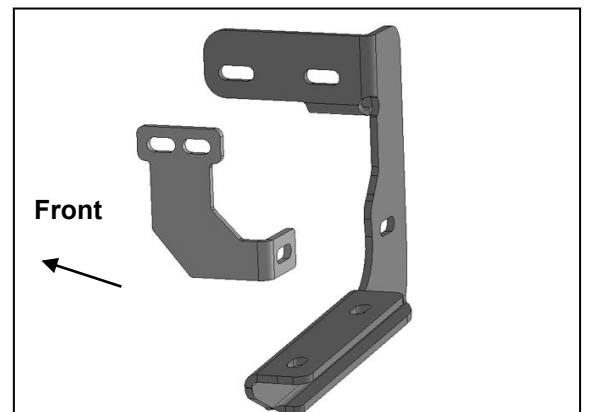
(Fig 2) 8mm Bolt-8mm Nut Plate, NOTE: 8mm Bolt-Nut Plate is not required on models with threaded inserts



(Fig 4) Use the loose Hex Bolt as a handle. Insert the Bolt Plate into the oval hole and feed the threaded end out either factory hex shaped hole. IMPORTANT: Do not let go of the hex bolt until after Plastic Retainer has been threaded onto bolt (Fig 5)

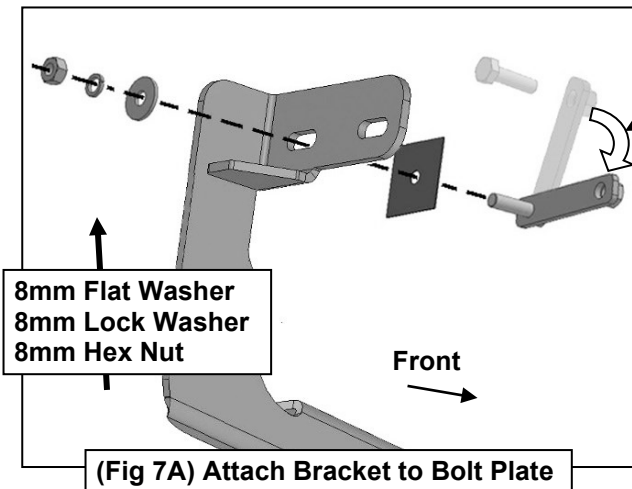


(Fig 5) Thread Plastic Retainer onto Bolt Plate to hold Bolt Plate in position.

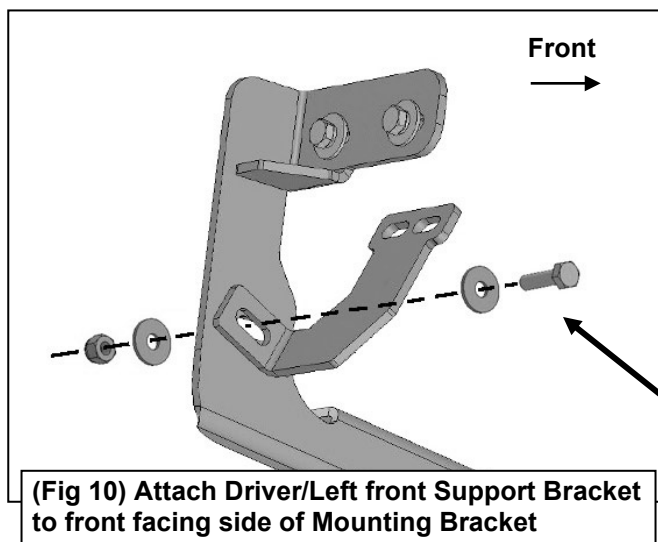
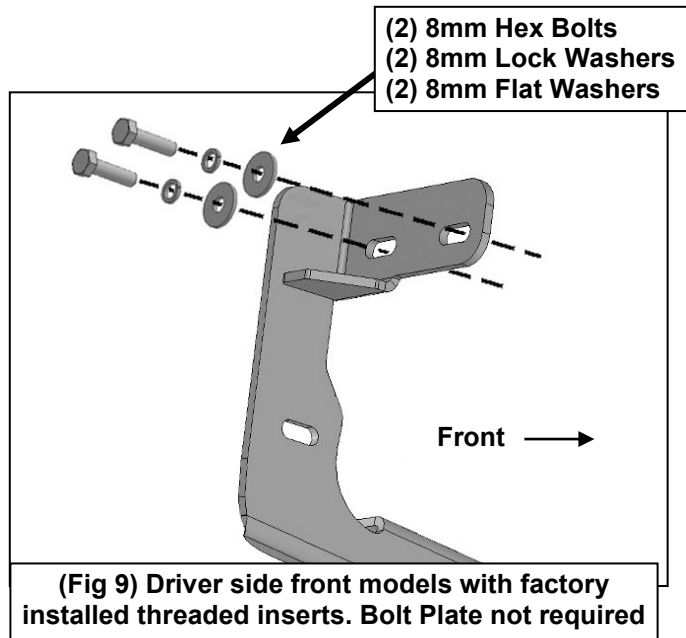
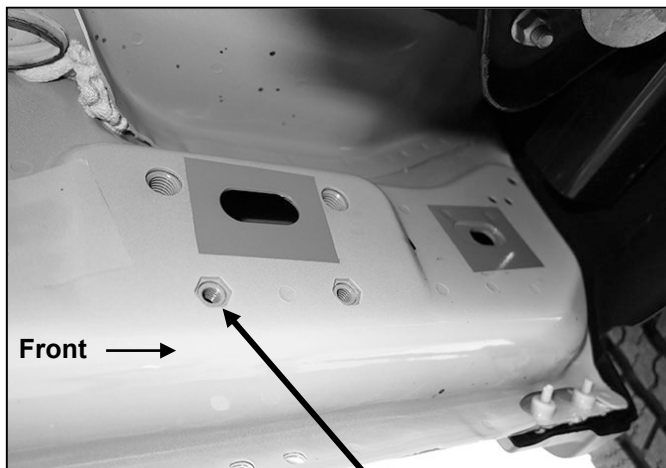
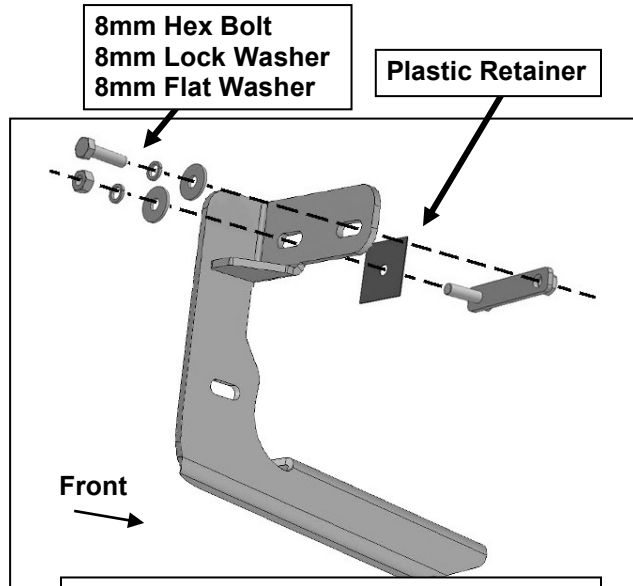


(Fig 6) Driver side front Brackets

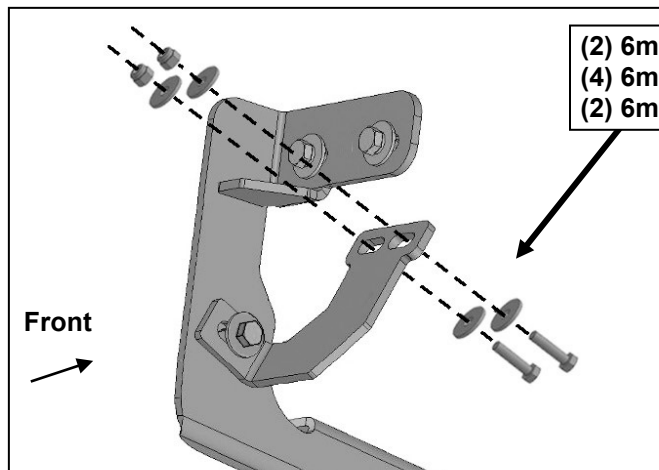
Driver Side Installation Pictured



Remove Hex Bolt, rotate Bolt/Nut Plate to line up threaded nut with body panel and Mounting Bracket (see arrow)



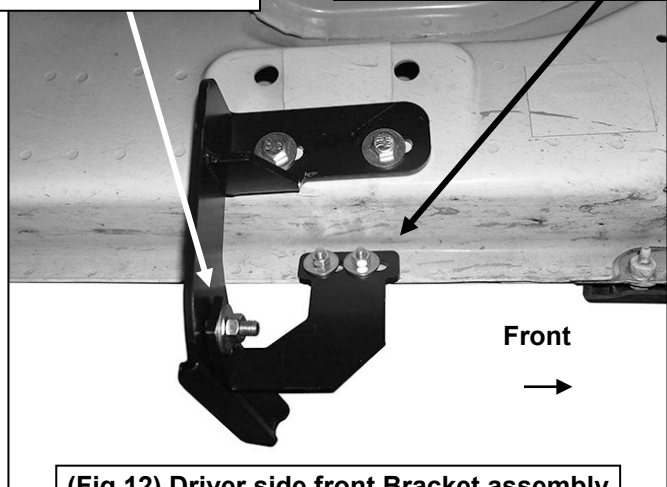
Driver Side Installation Pictured



(2) 6mm Hex Bolts
 (4) 6mm Flat Washers
 (2) 6mm Nylon Lock Nuts

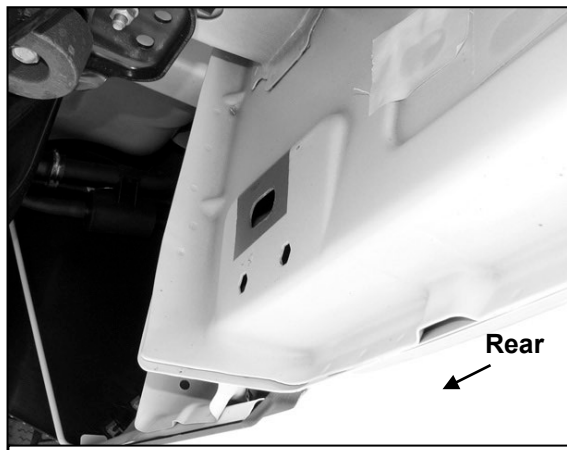
8mm Hex Bolt
 (2) 8mm Flat Washers
 8mm Nylon Lock Nut

(2) 6mm Hex Bolts
 (4) 6mm Flat Washers
 (2) 6mm Nylon Lock Nuts



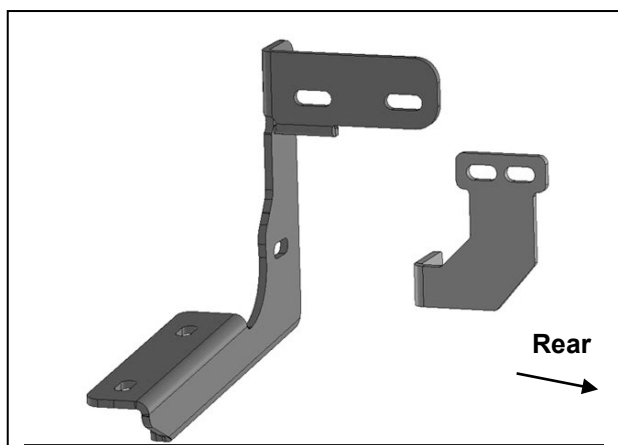
(Fig 12) Driver side front Bracket assembly

(Fig 11) Attach Support Bracket to back of pinch weld (models with factory holes in pinch weld only)



(Fig 13) Driver/Left rear mounting location

IMPORTANT: 2009-2012 models without holes in pinch weld will require drilling 1/4" holes through pinch weld to attach Support Brackets. Do complete installation of Running Boards first and level Running Boards before drilling holes for Support Brackets.

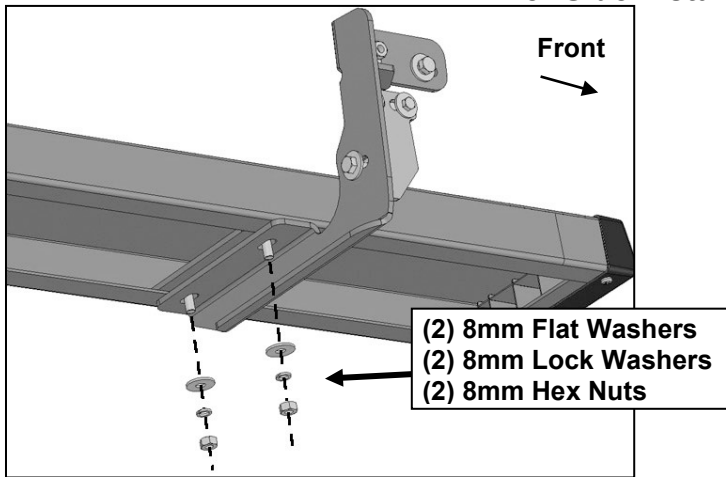


(Fig 14) Driver/Left rear Mounting Brackets (same as passenger/right front)



(Fig 15) Driver/Left rear Brackets installed

Driver Side Installation Pictured



(Fig 16) Slide the 8mm Double Bolt Plate into channels

